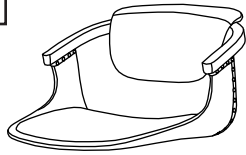


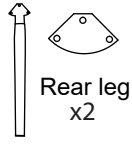
Part # CH-ORACLE XXXX

19-0814

PARTS

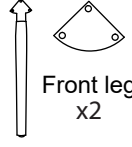


A



Rear leg
x2

B



Front leg
x2

C



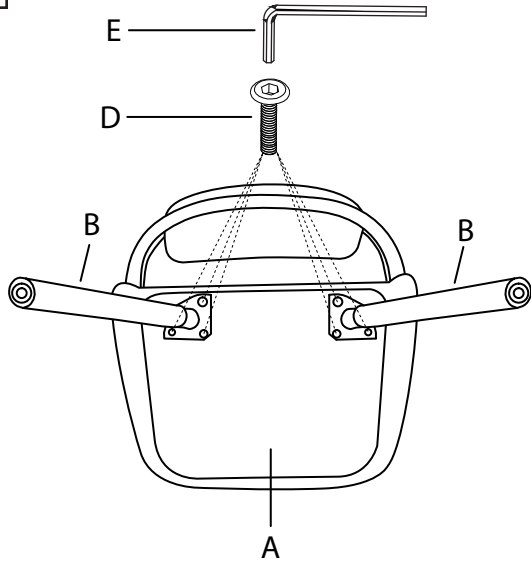
x12
(M6x20mm)

D

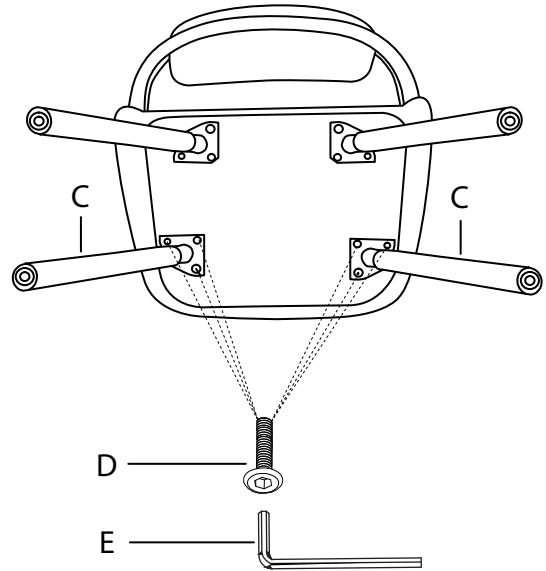


E

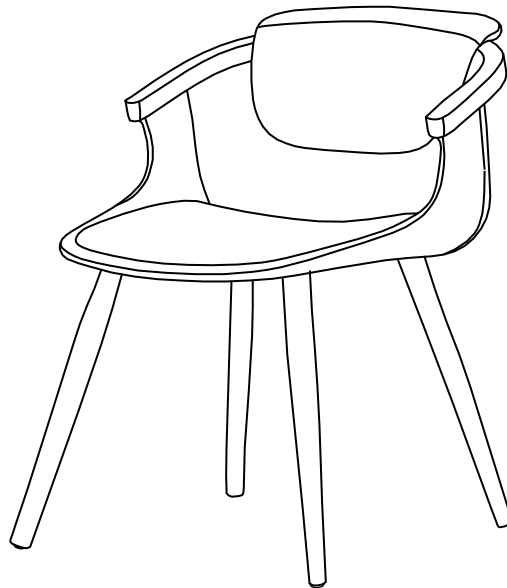
1



2



3



Do not over tighten.
 Do not use power tools to assemble.